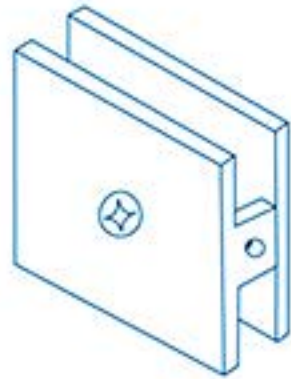
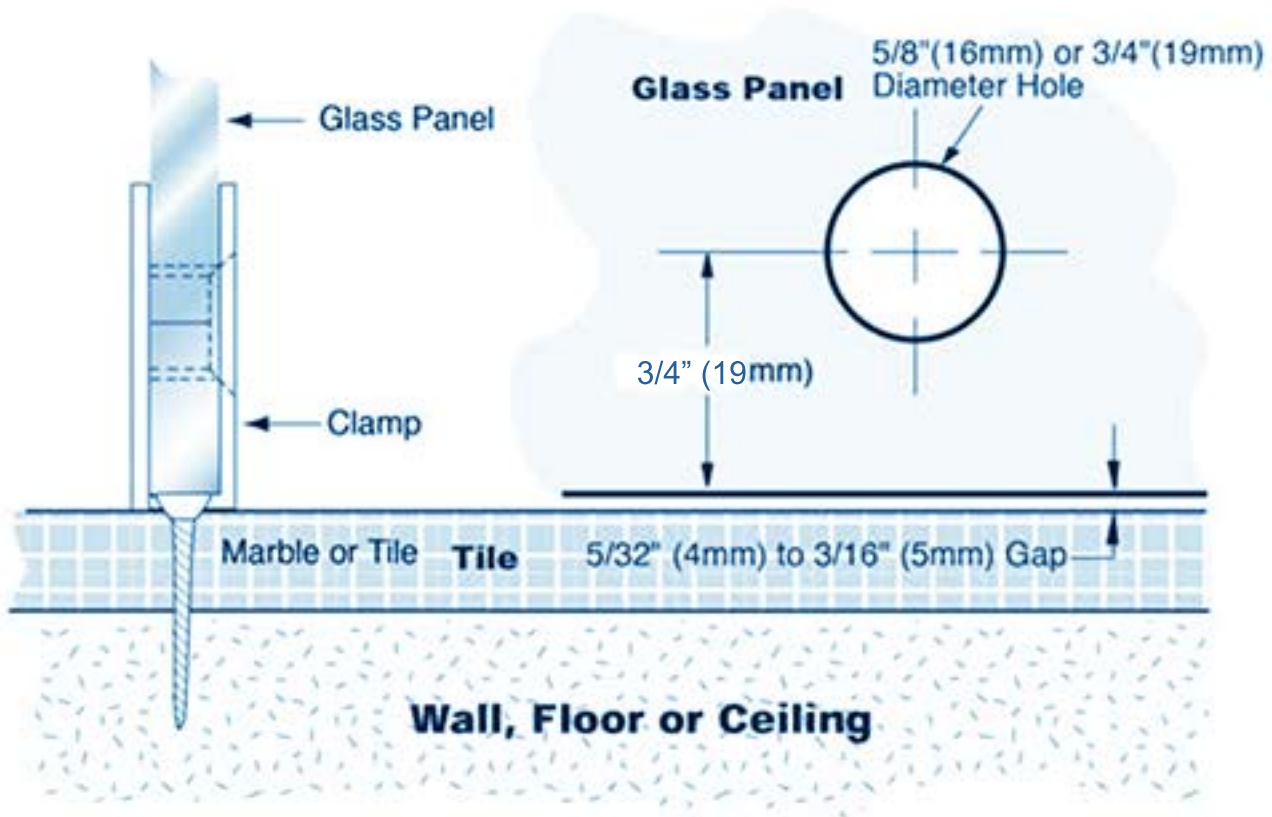


FRONT VIEW



REAR VIEW

Material: Solid Brass  
Glass Thickness Range: 3/8" (10mm) to 1/2" (11 mm)  
Hole Size Required: 5/8" (16mm) or 3/4" (19mm)  
Includes: Mounting screws and gaskets



## SWFC2

Heavy Duty Glass Clamps  
Fixed Panel Square U-Clamp