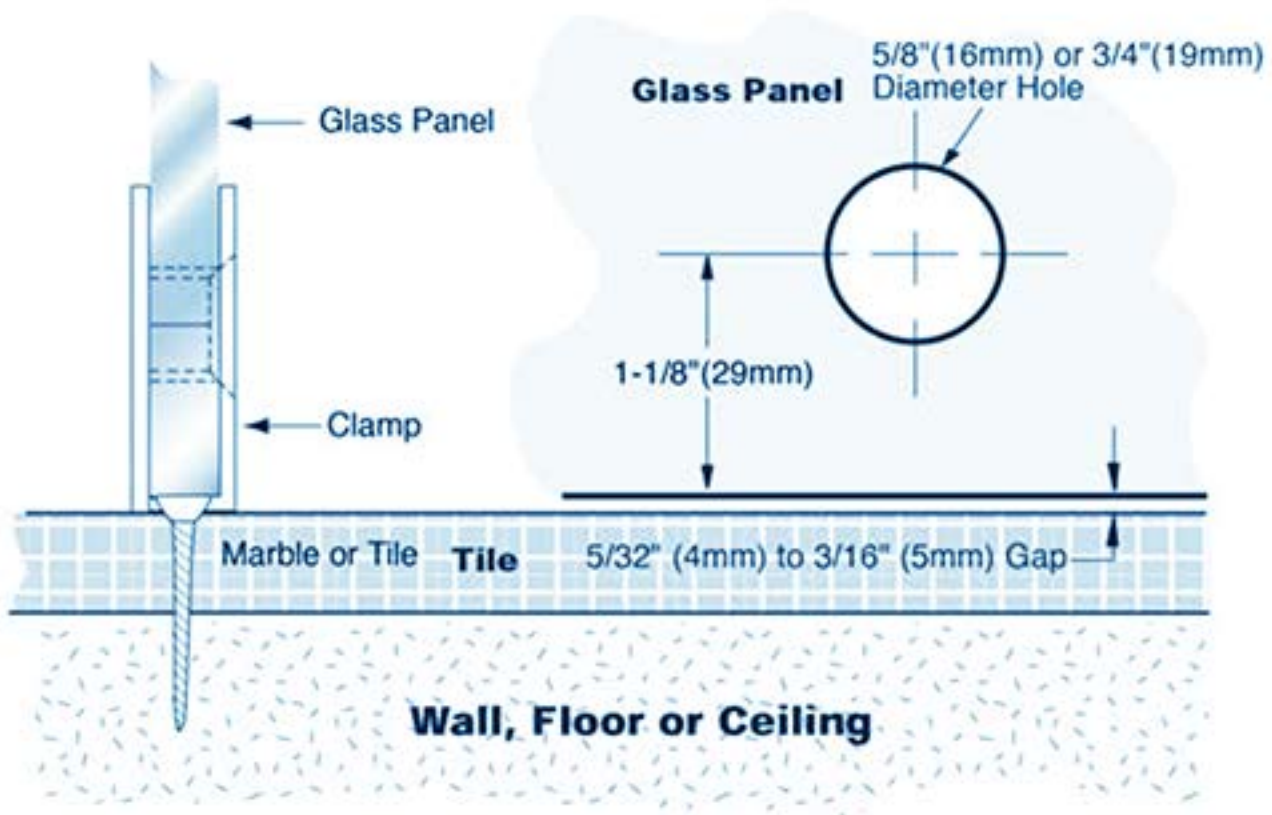
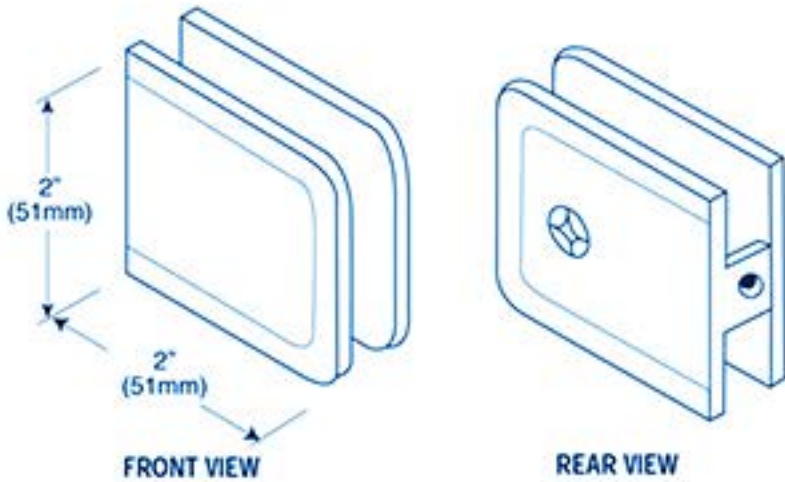




Material: Solid Brass
Glass Thickness Range: 3/8"(10mm)
to 1/2"(11 mm)
Hole Size Required: 5/8"(16mm)
or 3/4 (19mm)
Includes: Mounting screws and gaskets



BWFC2

Heavy Duty Glass Clamps
Fixed Panel Beveled U-Clamp